

**HULK<sup>®</sup> SERIES AIR BAG LIFT AND TILT**  
**L I F T P R O D U C T S S P E C I F I C A T I O N S**

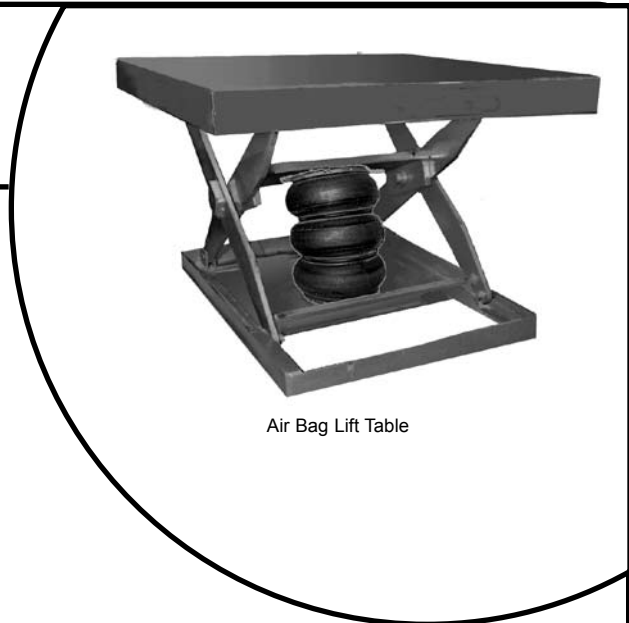


**Design Highlights**

- Over Pressure Relief Valve
- 2,000 lbs. and 4,000 lbs. Capacity Operate on a Standard 85 PSI Air Supply
- 6,000 lbs. Capacity Requires 95 PSI Air Supply
- Single Wire Braided Hydraulic Hose x 10' for Air Bags
- Unit Standard with Hand Lever Control with 10' of Hose
- Male/Female Quick Disconnect for Air Supply
- Maintenance Strut
- 2 Safety Chains with Shackles Each End for Tilt
- Motion Stabilizer for Tilt to Control Down Only Using an Air Cylinder
- Meets or Exceeds the ANSI MH29.1 Standard for Industrial Scissors Lifts and ANSI MH29.2 Standard for Tilters

**Project Information**

Job Name \_\_\_\_\_  
 Address \_\_\_\_\_  
 General Contractor \_\_\_\_\_  
 Distributor \_\_\_\_\_  
 Model \_\_\_\_\_ Quantity \_\_\_\_\_ Voltage/Phase \_\_\_\_\_



Air Bag Lift Table

**Available Options**

**AIR BAG LIFT TABLE**

- Oversized Platforms with Straight Sides
- Manual Foot Valve
- Hand Control Valve on Pedestal Stand
- Accordion Bellows 4 Sides
- Other \_\_\_\_\_

**AIR BAG TILT**

- Manual Foot Valve
- Hand Control Valve on Pedestal Stand
- Accordion Bellows 3 Sides
- Other \_\_\_\_\_



Air Bag Tilter

# HULK<sup>®</sup> SERIES AIR BAG LIFT AND TILT

L I F T P R O D U C T S S P E C I F I C A T I O N S

## AIR BAG LIFT TABLE

Model No.	Travel [in]	Capacity [lb]	Baseframe Size [in]	Platform Size [in]	Lowered Height [in]	Raised Height [in]	No. of Air Bags	Max Operating Pressure [psi]	Ship Weight [lb]
KALT3648-2	24	2,000	36 x 48	36 x 48	8	32	1	85 psi	740
KALT4248-4	24	4,000	42 x 48	42 x 48	8	32	2	85 psi	940
KALT4848-2	24	2,000	36 x 48	48 x 48	8	32	1	85 psi	730
KALT4848-4	24	4,000	42 x 48	48 x 48	8	32	2	85 psi	980
KALT4848-6	24	6,000	48 x 48	48 x 48	10	34	2	95 psi	1,100

MAXIMUM PLATFORM SIZE 48 x 60

## AIR BAG TILT TABLE

Model No.	Tilt Angle [deg]	Capacity [lb]	Baseframe Size [in]	Platform Size [in]	Lowered Height [in]	Raised Height [in]	No. of Air Bags	Max Operating Pressure [psi]	Ship Weight [lb]
KT3648-2	35	2,000	36 x 48	36 x 48	8	32	1	85 psi	440
KT4248-4	35	4,000	42 x 48	42 x 48	8	32	1	85 psi	480
KT4848-2	35	2,000	48 x 48	48 x 48	8	32	1	85 psi	450
KT4848-4	35	4,000	42 x 48	48 x 48	8	32	1	85 psi	490
KT4848-6	35	6,000	46 x 48	48 x 48	10	34	2	95 psi	580

MAXIMUM PLATFORM SIZE 48 x 60

## AIR BAG LIFT & TILT TABLE COMBINATION

Model No.	Tilt Angle [deg]	Capacity [lb]	Baseframe Size [in]	Platform Size [in]	Lowered Height [in]	Raised Height [in]	No. of Air Bags	Max Operating Pressure [psi]	Ship Weight [lb]
KALT3648-2T	35	2,000	36 x 48	36 x 48	15	39	2	85 psi	1,315
KALT4248-4T	35	4,000	42 x 48	42 x 48	15	39	3	85 psi	1,495
KALT4848-2T	35	2,000	36 x 48	48 x 48	15	39	2	85 psi	1,320
KALT4848-4T	35	4,000	42 x 48	48 x 48	15	39	3	85 psi	1,500
KALT4848-6T	35	6,000	48 x 48	48 x 48	17	41	4	95 psi	1,620

MAXIMUM PLATFORM SIZE 48 x 60

**Consult Factory for Higher Capacities or Special Application Requirements**

**KELLEY**